

Floor boxes: 6710A-1-3

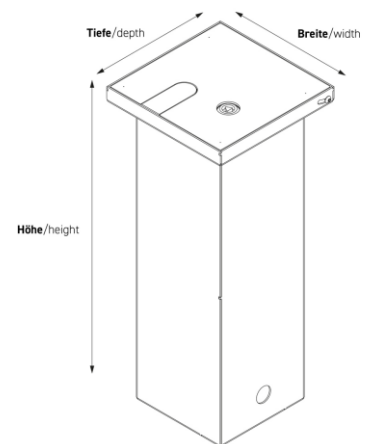
Specification:

Item No:	6710A-1-3
Product line:	Floor boxes
Mounting (qty):	1 x connection schuko
Connection:	1 x Cable H07BQ-F with 3 x 2.5 ²
Construction:	Square
Ground:	<ul style="list-style-type: none"> • Suitable for stone, concrete and asphalt • Suitable for screed
Type of inst.:	Flush mounted
Lid character.:	<ul style="list-style-type: none"> • Hinged • Lockable by rotating latch lock • slip resistance R13 (din 51130) • With cable outlet
Environment:	Outdoor area (drainage)
EAN:	0706332881583



Technical data:

Protection class:	IP 68 (in unused condition) IP 68 (in used condition)
Material:	<ul style="list-style-type: none"> • Stainless steel (1.4301) • Housing made of stainless steel (1.4301) • Lid made of solid aluminum
Colour:	Aluminum (nature)
Surface:	Anodised
Weight:	7,04 kg
Dimensions:	width: 206 mm height: 474 mm depth: 200 mm
Floor inst. depth:	474 mm
Supply line:	2 x lateral; each Ø 25 mm
Load:	7,50 t



Features:

Opt. Accessory:	Item No. 12262 - support plate for installation Item No. 12261 - 5 x 6mm ² gel-branch sleeve Item No. 12363 - schuko plug ip68
Features:	Complete and pre-assembled