

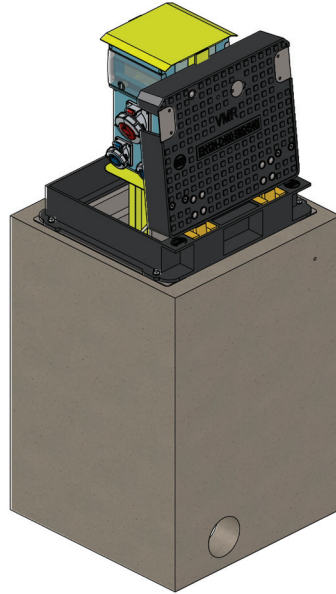


VM07

RETRACTABLE
POWER TOWER

FOR DISTRIBUTION
OF ENERGY AND SERVICES

VM07



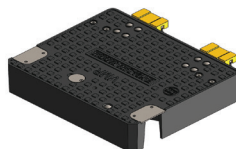
MECHANICAL SPECS

Retractable power tower, model VM07 from the "Urban Technology" line of New VMR S.r.l., for the distribution of energy and other services, made of press-bent AISI304 stainless steel painted RAL 1021 and with one side available for mounting electrical equipment. Manual lifting by its special ergonomic handle up to its lock position. Cover with semiautomatic lifting with release key and gas rams; the opening is eased by a double gas actuator and a pivot partially removable from the lid surface. The closing is guaranteed by a bronze bayonet lock, protected from dust and water by a hinged flap door. D400 cast iron EN 124 cover. Non-slip surface according to UNI EN 124 class D400; surface features the mandatory class D400, EN 124 and certification body mark. The cast iron cover is manufactured in certified facilities according to ISO 9001 quality standards. Complete with RBK concrete box with the following external dimensions 660x660xh960mm.

ELECTRICAL SPECS

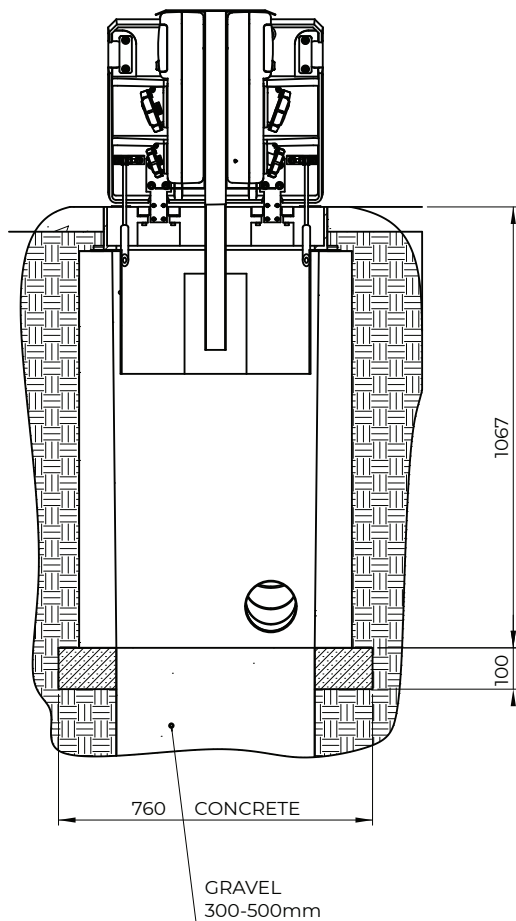
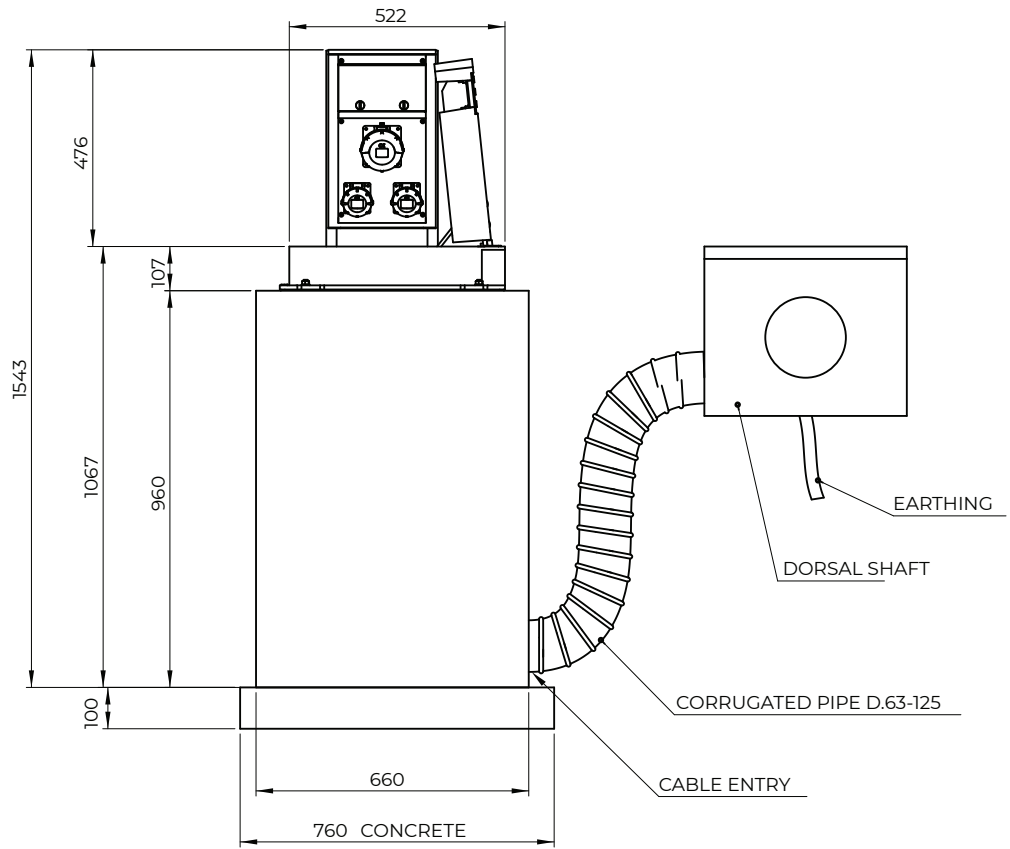
Electrical equipment containment box with IP 66 protection IEC 60 529 and CE70-1 double insulation in thermoplastic material free of halogen self-extinguishing halogen, painted gray RAL 7035 resistant to abnormal heat and fire up to 650 ° (incandescent wire test according to IEC 60 695-2 -1). Elastomer sealing gaskets for dimensional stability in continuous operation from -20 ° to + 85 °. Resistance to chemical agents (water, saline solutions, acids, bases and oils) and atmospheric agents. Reference standards: CEI 23-48 and IEC 60 670. This system is suitable for manufacturing equipment and for places with a higher risk of fire (IEC 64-8 / 7).

AVAILABLE COVERS



**D400 CAST IRON EN 124
COVER**

Technical drawing (example)



TECHNICAL DETAILS

STRUCTURE

RBK concrete box

Structure made of AISI304 stainless steel

Structure made of AISI316L stainless steel (only on demand)

CONNECTION SYSTEM

Connection with H07RN-F cable
(out of the concrete 3,00mt standard) to a dorsal shaft

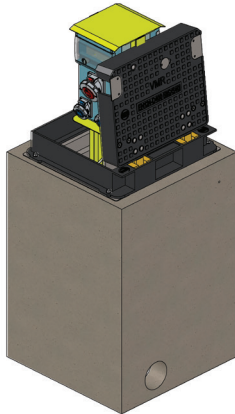
ELECTRICAL SPECS

Voltage 230V/400V
Frequency from 50hz to 60hz
Standard protection of the sockets IP67 or IP68
Regulation EN 60947-1 and EN 61439

ADDITIONAL EQUIPMENT

Compressed air outlets
Audio / video connectors
RJ-data / video / telephone jacks
Water outlets / valves 1/2" or 3/4"
Energy consumption meters
Water consumption meters
Prepaid system with rechargeable BADGE cards
and CONTROL TOTEM

EQUIPMENTS
VM07



SUITABLE FOR

market areas, squares, showrooms, parks,
hangars or hotels

VM07 - A * / **

08 2P+E 16A CEE sockets
08 RCBOs 1P+N 16A 0,03 6KA
01 heating kit

VM07 - B **

04 2P+E 16A CEE sockets
04 RCBOs 1P+N 16A 0,03 6KA
02 ball valves 1/2" for water or
compressed air
01 heating kit

VM07 - C **

06 2P+E 16A CEE sockets
06 RCBOs 1P+N 16A 0,03 6KA
01 ball valve 1/2" for water or
compressed air
01 heating kit

VM07 - D * / **

04 2P+E 16A CEE sockets
04 RCBOs 1P+N 16A 0,03 6KA
01 3P+N+E 16A CEE socket
01 RCBO 4x16A 0,03 6KA
01 3P+N+E 32A CEE socket
01 RCBO 4x32A 0,03 6KA
01 heating kit

VM07 - E * / **

06 2P+E 16A CEE sockets
06 RCBOs 1P+N 16A 0,03 6KA
02 2P+E 32A CEE sockets
02 RCBOs 1P+N 32A 0,03 6KA
01 heating kit

VM07 - F * / **

01 3P+N+E 63A CEE socket
01 RCBO 4x63A 0,03 6KA
01 heating kit

VM07 - G * / **

02 2P+E 16A CEE sockets
02 RCBOs 1P+N 16A 0,03 6KA
02 3P+N+E 16A CEE sockets
02 RCBOs 4x16A 0,03 6KA
02 3P+N+E 32A CEE sockets
02 RCBOs 4x32A 0,03 6KA
01 heating kit

VM07 - H * / **

02 3P+N+E 16A interlocked sockets
02 RCBOs 4x16A 0,03 6KA
02 3P+N+E 32A interlocked sockets
02 RCBOs 4x32A 0,03 6KA
01 heating kit

VM07 - I * / **

04 2P+E 16A interlocked sockets
04 RCBOs 1P+N 16A 0,03 6KA
01 heating kit

VM07 - L * / **

02 2P+E 16A interlocked sockets
02 RCBOs 1P+N 16A 0,03 6KA
01 3P+N+E 16A interlocked socket
01 RCBOs 4x16A 0,03 6KA
01 3P+N+E 32A interlocked socket
01 RCBOs 4x32A 0,03 6KA
01 heating kit

VM07 - M * / **

02 2P+E 16A interlocked sockets with fuse
01 3P+N+E 16A interlocked socket with fuse
01 3P+N+E 32A interlocked socket with fuse
01 heating kit

WITHOUT EQUIPMENT - ONLY STAINLESS STEEL PLATE TO MOUNT THE EQUIPMENT
OPTIONAL ACCESSORIES | TO BE FITTED BY REMOVING SOME SOCKETS FOR THE EQUIPMENTS VM07-A-B-C-D-E-G-H-L-M

ON THE EMPTY SIDE FOR VM07-F

* 01 or 02 ball valves 1/2" per water or compressed air

** 01 o 02 Sockets dati RJ45 cat.06



WWW.VMRSRL.COM

NEW VMR S.R.L.

VIA LARIO 31, 22060 CANTÙ (CO) ITALY

+39 031 704673 | 031 7090081

INFO@VMRSRL.COM

P.IVA 03230340139

ELIT®

ELIT AB • 08 - 92 09 85 • info@elitab.se • www.elitab.se