

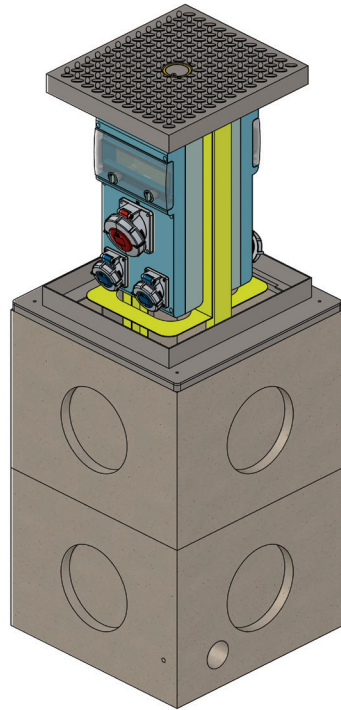


# VM05

RETRACTABLE  
POWER TOWER

FOR DISTRIBUTION  
OF ENERGY AND SERVICES

# VM05



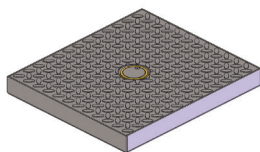
## MECHANICAL SPECS

Retractable power tower, model VM05 from the "Urban Technology" line of New VMR S.r.l., for the distribution of energy and other services, made of press-bent AISI304 stainless steel painted RAL 1021 with two sides available for mounting electrical equipment. The sliding of the unit is ensured by self-lubricating polythene guides. Manual lifting thanks to the worm screw system and by its turning handle or special accessory to mount on an electric drill; or, **only on demand and if it is possible**, the unit may also come with a semi-automatic lifting ensured by gas rams and release key. Complete with RBK concrete box with the following external 490x490xh740mm.

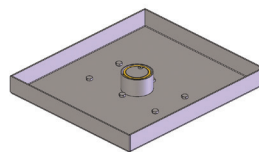
## ELECTRICAL SPECS

Electrical equipment containment box with IP 66 protection IEC 60 529 and CE70-1 double insulation in thermoplastic material free of halogen self-extinguishing halogen, painted gray RAL 7035 resistant to abnormal heat and fire up to 650 ° (incandescent wire test according to IEC 60 695-2 -1). Elastomer sealing gaskets for dimensional stability in continuous operation from -20 ° to + 85 °. Resistance to chemical agents (water, saline solutions, acids, bases and oils) and atmospheric agents. Reference standards: CEI 23-48 and IEC 60 670. This system is suitable for manufacturing equipment and for places with a higher risk of fire (IEC 64-8 / 7).

## AVAILABLE COVERS



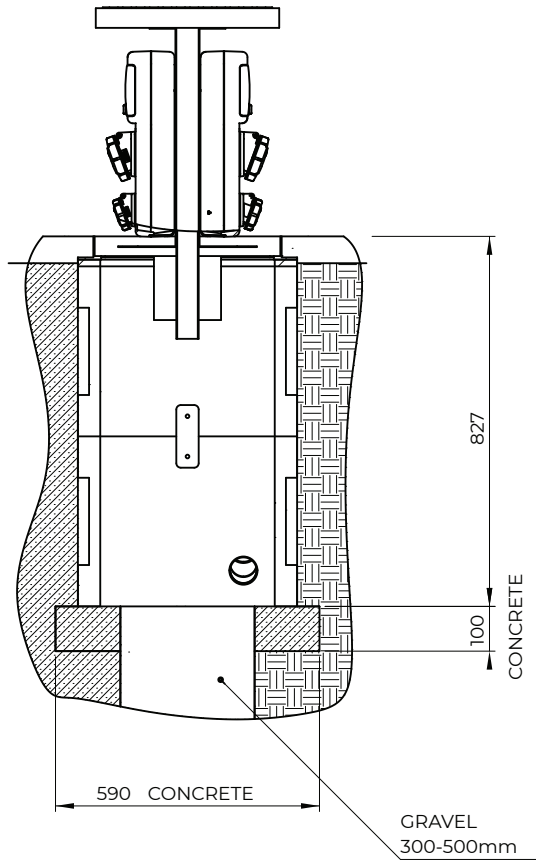
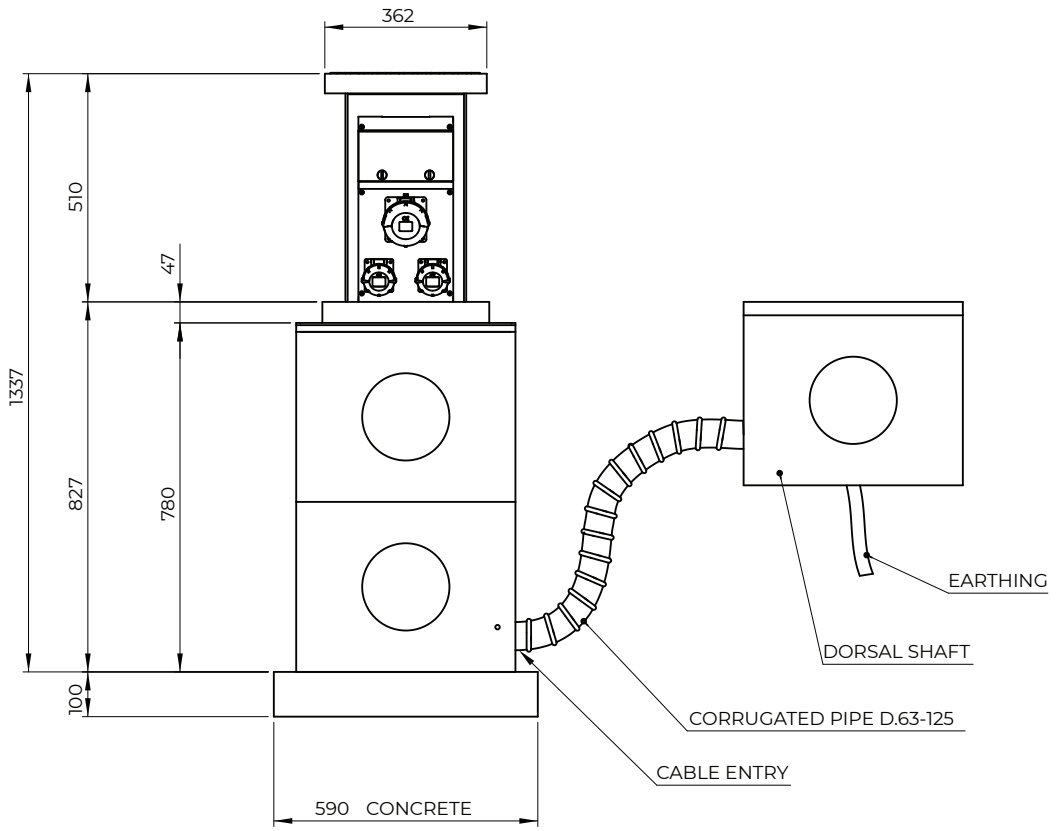
**400kN STAINLESS STEEL\* COVER with ALMOND FINISH**



**250kN STAINLESS STEEL\* COVER to FILL**

\* electro pickling and electropolishing with passivation of stainless steel treatment to finish and clean the covers from welding marks

# Technical drawing (example)



## **TECHNICAL DETAILS**

### **STRUCTURE**

RBK concrete box

Structure made of AISI304 stainless steel

Structure made of AISI316L stainless steel (only on demand)

### **CONNECTION SYSTEM**

Connection with H07RN-F cable  
(out of the concrete 3,00mt standard) to a dorsal shaft

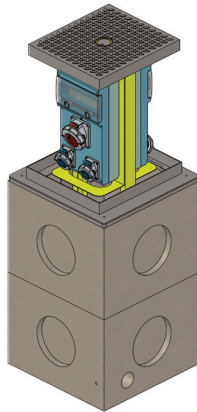
### **ELECTRICAL SPECS**

Voltage 230V/400V  
Frequency from 50hz to 60hz  
Standard protection of the sockets IP67 or IP68  
Regulation EN 60947-1 and EN 61439

### **ADDITIONAL EQUIPMENT**

Compressed air outlets  
Audio / video connectors  
RJ-data / video / telephone jacks  
Water outlets / valves 1/2" or 3/4"  
Energy consumption meters  
Water consumption meters  
Prepaid system with rechargeable BADGE cards  
and CONTROL TOTEM

# EQUIPMENTS VM05



## SUITABLE FOR

market areas, squares, showrooms, parks,  
hangars or hotels

### VM05 - A \* / \*\*

08 2P+E 16A CEE sockets
08 RCBOs 1P+N 16A 0,03 6KA
01 heating kit

### VM05 - B \*\*

04 2P+E 16A CEE sockets
04 RCBOs 1P+N 16A 0,03 6KA
02 ball valves 1/2" for water or compressed air
01 heating kit

### VM05 - C \*\*

06 2P+E 16A CEE sockets
06 RCBOs 1P+N 16A 0,03 6KA
01 ball valve 1/2" for water or compressed air
01 heating kit

### VM05 - D \* / \*\*

04 2P+E 16A CEE sockets
04 RCBOs 1P+N 16A 0,03 6KA
01 3P+N+E 16A CEE socket
01 RCBO 4x16A 0,03 6KA
01 3P+N+E 32A CEE socket
01 RCBO 4x32A 0,03 6KA
01 heating kit

### VM05 - E \* / \*\*

06 2P+E 16A CEE sockets
06 RCBOs 1P+N 16A 0,03 6KA
02 2P+E 32A CEE sockets
02 RCBOs 1P+N 32A 0,03 6KA
01 heating kit

### VM05 - F \* / \*\*

01 3P+N+E 63A CEE socket
01 RCBO 4x63A 0,03 6KA
01 heating kit

### VM05 - G \* / \*\*

02 2P+E 16A CEE sockets
02 RCBOs 1P+N 16A 0,03 6KA
02 3P+N+E 16A CEE sockets
02 RCBOs 4x16A 0,03 6KA
02 3P+N+E 32A CEE sockets
02 RCBOs 4x32A 0,03 6KA
01 heating kit

### VM05 - H \* / \*\*

02 3P+N+E 16A interlocked sockets
02 RCBOs 4x16A 0,03 6KA
02 3P+N+E 32A interlocked sockets
02 RCBOs 4x32A 0,03 6KA
01 heating kit

### VM05 - I \* / \*\*

04 2P+E 16A interlocked sockets
04 RCBOs 1P+N 16A 0,03 6KA
01 heating kit

### VM05 - L \* / \*\*

02 2P+E 16A interlocked sockets
02 RCBOs 1P+N 16A 0,03 6KA
01 3P+N+E 16A interlocked socket
01 RCBOs 4x16A 0,03 6KA
01 3P+N+E 32A interlocked socket
01 RCBOs 4x32A 0,03 6KA
01 heating kit

### VM05 - M \* / \*\*

02 2P+E 16A interlocked sockets with fuse
01 3P+N+E 16A interlocked socket with fuse
01 3P+N+E 32A interlocked socket with fuse
01 heating kit

**WITHOUT EQUIPMENT - ONLY STAINLESS STEEL PLATE TO MOUNT THE EQUIPMENT**  
**OPTIONAL ACCESSORIES | TO BE FITTED BY REMOVING SOME SOCKETS FOR THE EQUIPMENTS VM05-A-B-C-D-E-G-H-L-M**

ON THE EMPTY SIDE FOR VM05-F

\* 01 or 02 ball valves 1/2" per water or compressed air

\*\* 01 o 02 Sockets dati RJ45 cat.06



[WWW.VMRSRL.COM](http://WWW.VMRSRL.COM)

**NEW VMR S.R.L.**

VIA LARIO 31, 22060 CANTÙ (CO) ITALY

+39 031 704673 | 031 7090081

[INFO@VMRSRL.COM](mailto:INFO@VMRSRL.COM)

P.IVA 03230340139

**ELITAB**<sup>®</sup>

ELIT AB • 08 - 92 09 85 • [info@elitab.se](mailto:info@elitab.se) • [www.elitab.se](http://www.elitab.se)