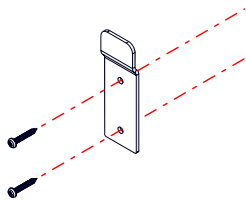
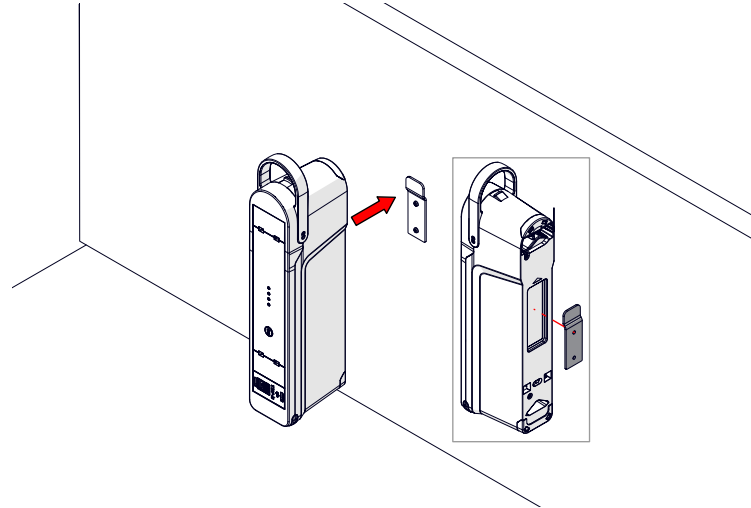


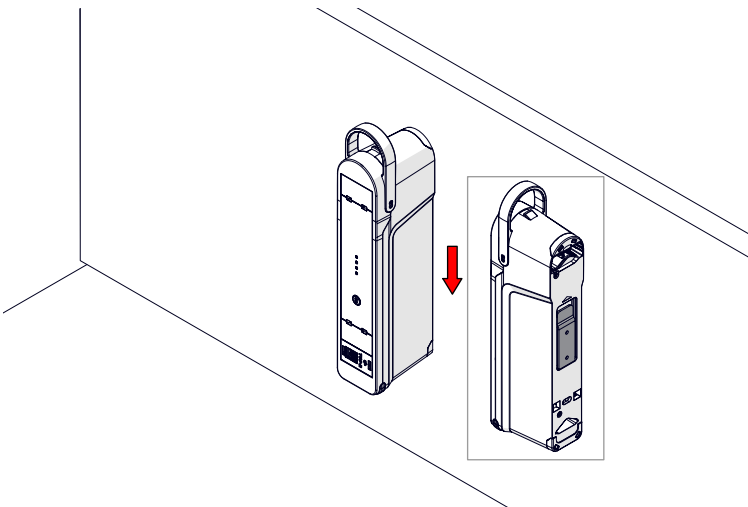
- 1 Fit bracket onto surface using 2 x No6 pan head screws. Screw type and length dependent on surface



- 2 Align QIKPAC CARRY with bracket



- 3 Slide QIKPAC CARRY down onto bracket



- 4

