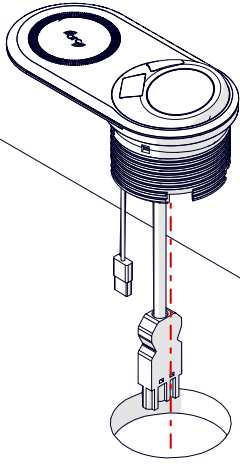
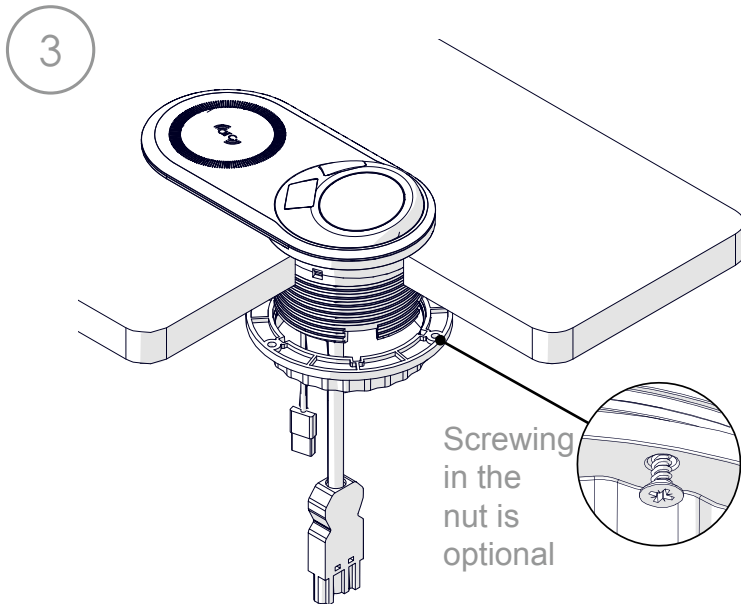
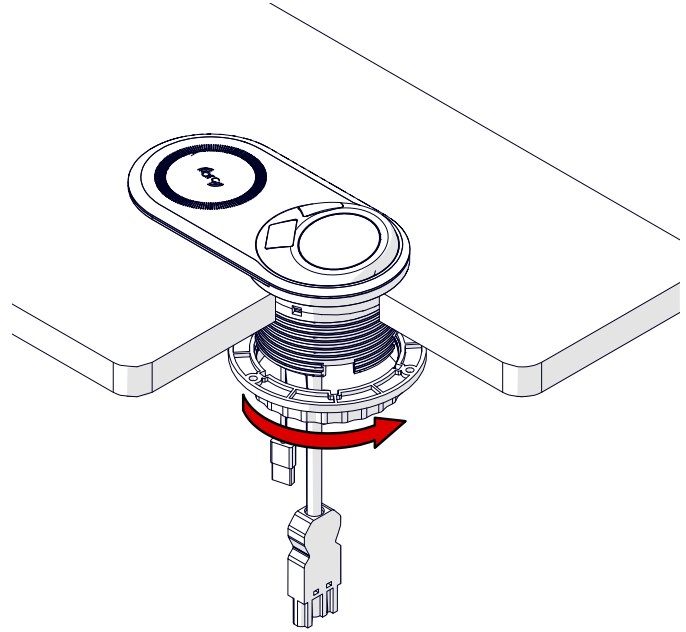


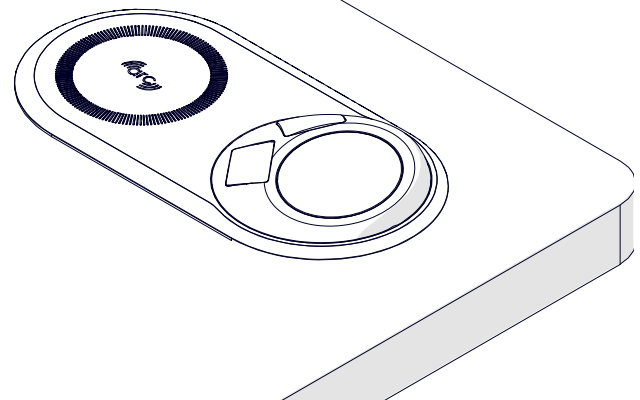
- 1 Feed PIXEL-ARC through the 80mm (3.15") hole



- 2 Check to ensure orientation of PIXEL-ARC is correct when tightening nut. Screw retaining nut until firmly in place



PIXEL-ARC



PIXELTUF-ARC

