



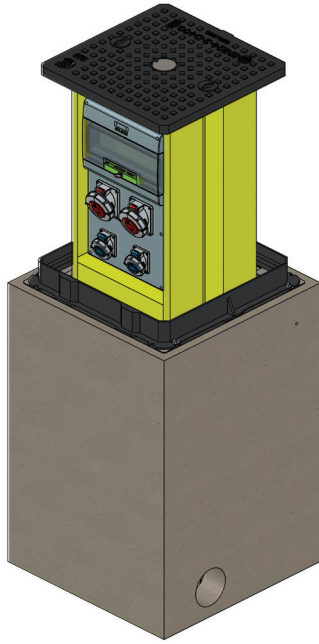
2

VM01

RETRACTABLE
POWER TOWER

FOR DISTRIBUTION
OF ENERGY AND SERVICES

VM01



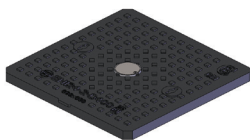
MECHANICAL SPECS

Retractable power tower, model VM01 from the “Urban Technology” line of New VMR S.r.l., for the distribution of energy and other services, made of press-bent AISI304 stainless steel painted RAL 1021 with two sides available for mounting electrical equipment and two sides for water taps or the compressed air outlets. The sliding of the unit is ensured by self-lubricating polythene guides. Manual lifting thanks to the worm screw system and by its turning handle or special accessory to mount on an electric drill; or, only on demand and if it is possible, the unit may also come with a semi-automatic lifting ensured by gas rams and release key. Complete with RBK concrete box with the following external dimensions 600x660xh960mm.

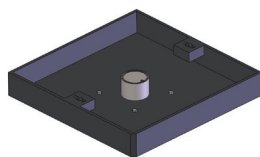
ELECTRICAL SPECS

Electrical equipment containment box with IP 66 protection IEC 60 529 and CE70-1 double insulation in thermoplastic material free of halogen self-extinguishing halogen, painted gray RAL 7035 resistant to abnormal heat and fire up to 650 ° (incandescent wire test according to IEC 60 695-2 -1). Elastomer sealing gaskets for dimensional stability in continuous operation from -20 ° to + 85 °. Resistance to chemical agents (water, saline solutions, acids, bases and oils) and atmospheric agents. Reference standards: CEI 23-48 and IEC 60 670. This system is suitable for manufacturing equipment and for places with a higher risk of fire (IEC 64-8 / 7).

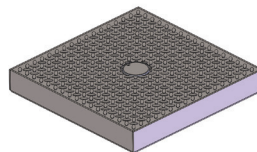
AVAILABLE COVERS



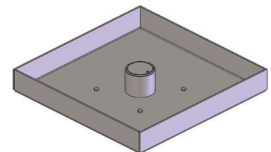
D400 CAST IRON EN 124 COVER



250 CAST IRON EN 124 COVER to FILL



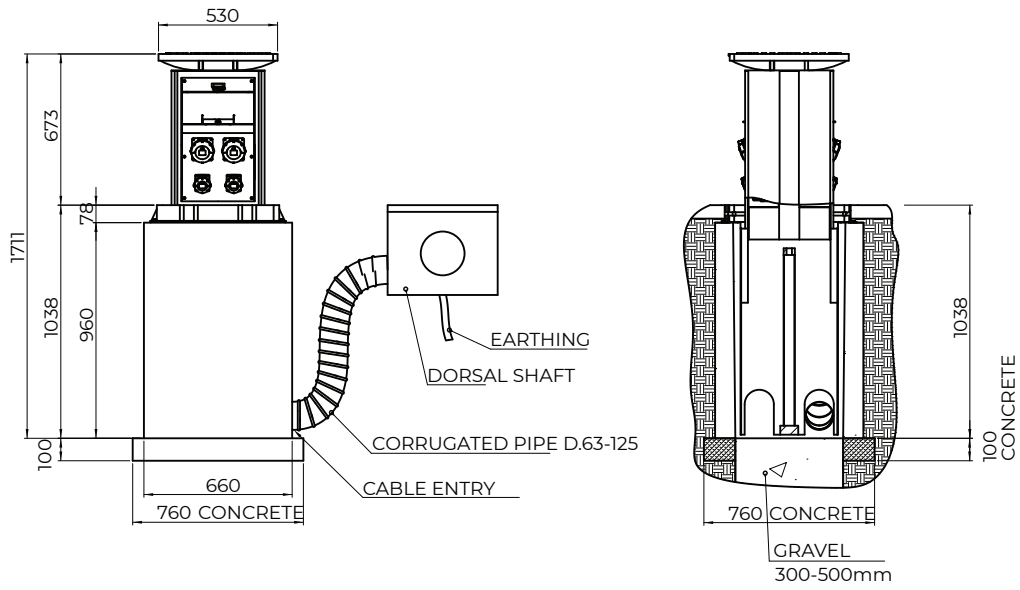
400kN STAINLESS STEEL* COVER with ALMOND FINISH



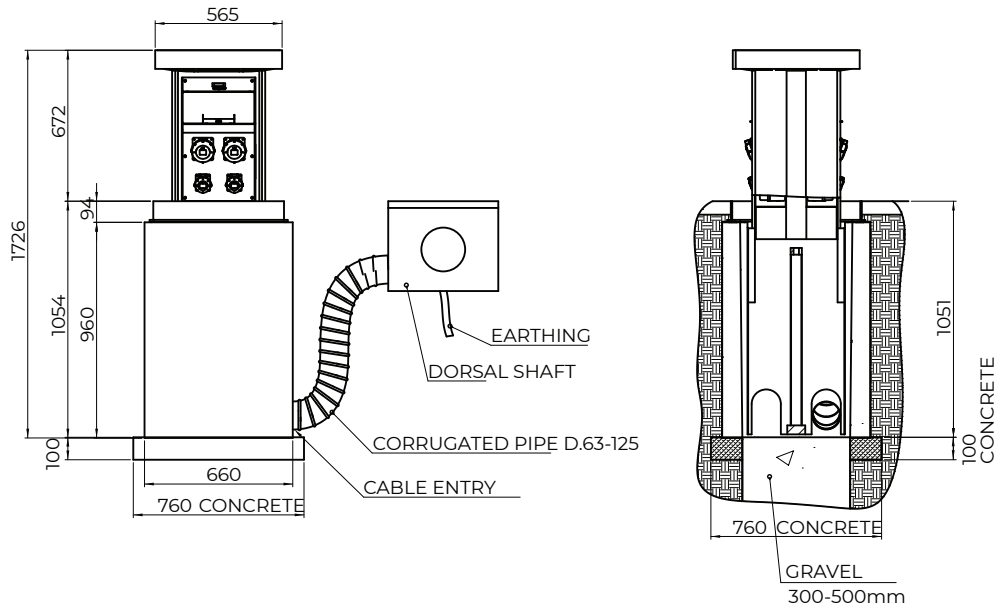
250kN STAINLESS STEEL* COVER to FILL

* electro pickling and electropolishing with passivation of stainless steel treatment to finish and clean the covers from welding marks

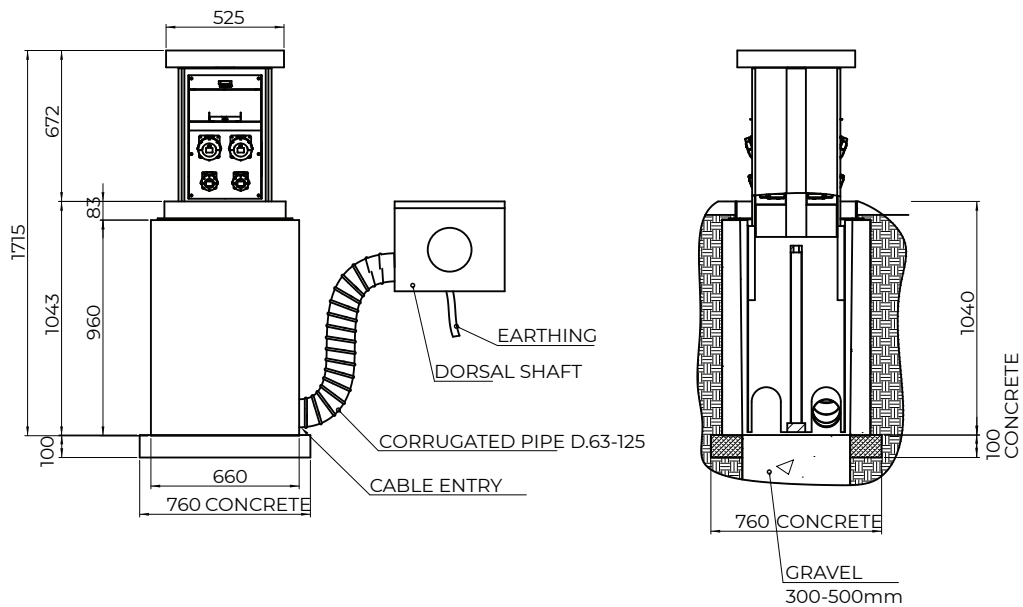
Technical drawing (example)



WITH CAST IRON COVER



WITH CAST IRON COVER to FILL



WITH STAINLESS STEEL COVER with ALMOND FINISH/ to FILL

TECHNICAL DETAILS

STRUCTURE

RBK concrete box

Structure made of AISI304 stainless steel

Structure made of AISI316L stainless steel (only on demand)

CONNECTION SYSTEM

Connection with H07RN-F cable
(out of the concrete 3,00mt standard) to a dorsal shaft

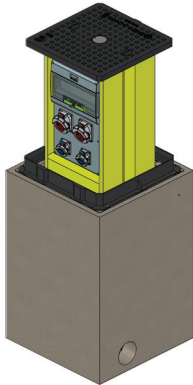
ELECTRICAL SPECS

Voltage 230V/400V
Frequency from 50hz to 60hz
Standard protection of the sockets IP67 or IP68
Regulation EN 60947-1 and EN 61439

ADDITIONAL EQUIPMENT

Compressed air outlets
Audio / video connectors
RJ-data / video / telephone jacks
Water outlets / valves 1/2" or 3/4"
Energy consumption meters
Water consumption meters
Prepaid system with rechargeable BADGE cards
and CONTROL TOTEM

EQUIPMENTS
VM01



SUITABLE FOR
market areas, squares, showrooms,
parks, hangars or hotels

VM01 - A * / **

| |
|----------------------------------|
| 12 2P+E 16A CEE sockets |
| 12 RCBOs 1P+N 16A 0,03 6KA |
| 01 heating kit + MCB 6A (Lovato) |

VM01 - B * / **

| |
|----------------------------|
| 06 2P+E 16A CEE sockets |
| 06 RCBOs 1P+N 16A 0,03 6KA |
| 01 3P+N+E 16A CEE socket |
| 01 RCBO 4x16A 0,03 6KA |
| 01 3P+N+E 32A CEE socket |
| 01 RCBO 4x32A 0,03 6KA |
| 01 heating kit |

VM01 - C * / **

| |
|----------------------------|
| 10 2P+E 16A CEE sockets |
| 10 RCBOs 1P+N 16A 0,03 6KA |
| 02 2P+E 32A CEE sockets |
| 02 RCBOs 1P+N 32A 0,03 6KA |
| 01 heating kit |

VM01 - D * / **

| |
|----------------------------|
| 04 2P+E 16A CEE sockets |
| 04 RCBOs 1P+N 16A 0,03 6KA |
| 02 2P+E 32A CEE sockets |
| 02 RCBOs 1P+N 32A 0,03 6KA |
| 01 3P+N+E 63A CEE socket |
| 01 RCBO 4x63A 0,03 6KA |
| 01 heating kit |

VM01 - E * / **

| |
|----------------------------|
| 04 2P+E 16A CEE sockets |
| 04 RCBOs 1P+N 16A 0,03 6KA |
| 01 3P+N+E 16A CEE socket |
| 01 RCBO 4x16A 0,03 6KA |
| 01 3P+N+E 32A CEE socket |
| 01 RCBO 4x32A 0,03 6KA |
| 01 3P+N+E 63A CEE socket |
| 01 RCBO 4x63A 0,03 6KA |
| 01 heating kit |

VM01 - F * / **

| |
|----------------------------|
| 03 2P+E 16A CEE sockets |
| 03 RCBOs 1P+N 16A 0,03 6KA |
| 01 3P+N+E 63A CEE socket |
| 01 RCBO 4x63A 0,03 6KA |
| 01 3P+N+E 125A CEE socket |
| 01 RCBO 4x125A 0,03 25KA |
| 01 heating kit |

VM01 - G * / **

| |
|----------------------------|
| 06 2P+E 16A CEE sockets |
| 06 RCBOs 1P+N 16A 0,03 6KA |
| 01 3P+N+E 125A CEE socket |
| 01 RCBO 4x125A 0,03 25KA |
| 01 heating kit |

VM01 - H * / **

| |
|---------------------------------|
| 08 2P+E 16A interlocked sockets |
| 08 RCBOs 1P+N 16A 0,03 6KA |
| 01 heating kit |

VM01 - I * / **

| |
|-----------------------------------|
| 04 2P+E 16A interlocked sockets |
| 04 RCBOs 1P+N 16A 0,03 6KA |
| 04 3P+N+E 16A interlocked sockets |
| 04 RCBOs 4x16A 0,03 6KA |
| 01 heating kit |

VM01 - L * / **

| |
|-----------------------------------|
| 04 2P+E 16A interlocked sockets |
| 04 RCBOs 1P+N 16A 0,03 6KA |
| 02 3P+N+E 16A interlocked sockets |
| 02 RCBOs 4x16A 0,03 6KA |
| 01 3P+N+E 63A interlocked socket |
| 01 RCBO 4x63A 0,03 6KA |
| 01 heating kit |

VM01 - M * / **

| |
|---|
| 04 2P+E 16A interlocked sockets |
| 04 RCBOs 1P+N 16A 0,03 6KA |
| 01 3P+N+E 125A socket with electrical interlock |
| 01 RCBO 4x125A 0,03 25KA |
| 01 heating kit |

**WITHOUT EQUIPMENT- ONLY STAINLESS STEEL PLATE TO MOUNT THE EQUIPMENT
OPTIONAL ACCESSORIES**

* 01 or 02 ball valves 1/2" per water or compressed air, on sides

** 01 or 02 RJ45 cat.06 data sockets, on sides



WWW.VMRSRL.COM

NEW VMR S.R.L.

VIA LARIO 31, 22060 CANTÙ (CO) ITALY

+39 031 704673 | 031 7090081

INFO@VMRSRL.COM

P.IVA 03230340139

ELITAB[®]

ELIT AB • 08 - 92 09 85 • info@elitab.se • www.elitab.se